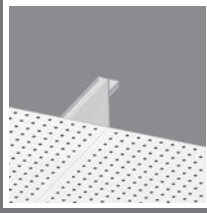


INSTALLATION GUIDE FOR FIRE-RESISTANT* PM8 PANELS ON WALL ANGLES



This fitting procedure will enable you to prepare and easily fit your Plafometal metal ceiling.

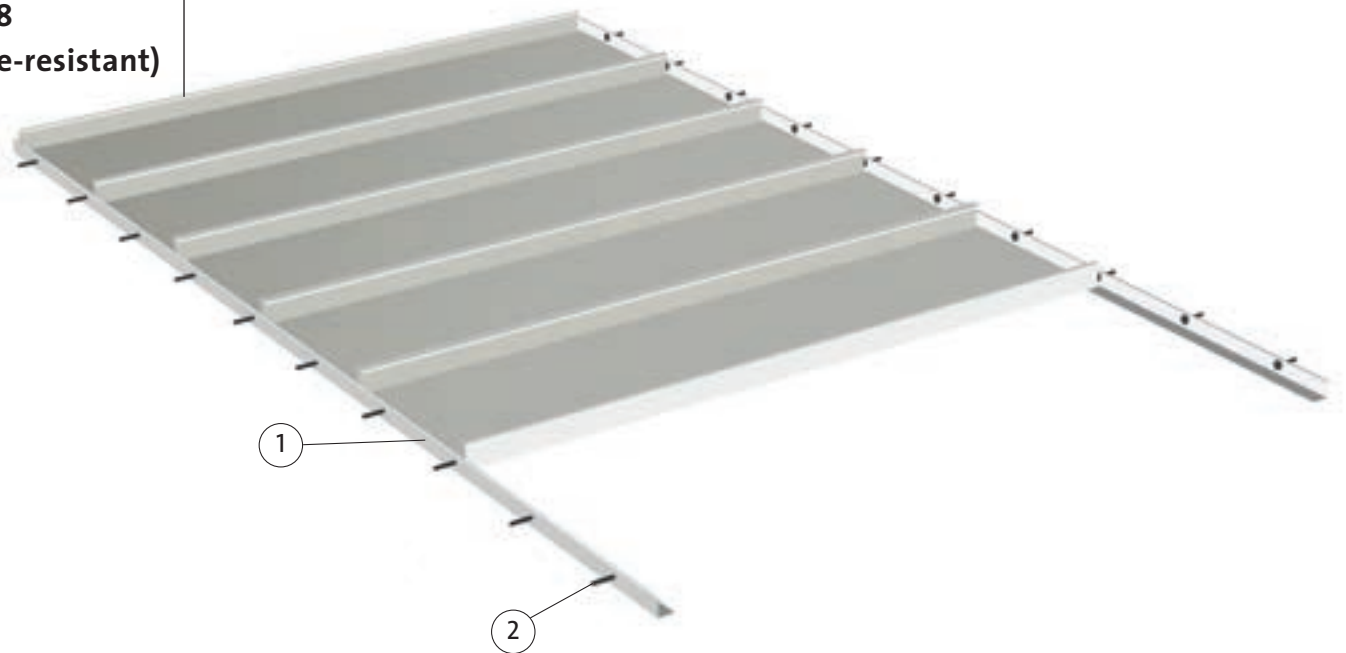
Please contact us and refer to the Fire Resistance Report prior to installation.

*Fire-resistant according to French and Belgian standards.




RANGE

PANEL SYSTEM FITTED ON WALL ANGLES
PLAFOMETAL-CC-420
 Installation in passageways

PM8
(Fire-resistant)



BILL OF MATERIALS PER LINEAR METER

Illustration	Mark no.	Description	Quantity / lm
	1	PERIMETER WALL ANGLE WITH HEMMED EDGES 30 x 30 - LENGTH: 3,000 MM, THICKNESS 0.8 MM REF: V810BA	2 lm
OR			
	1	PERIMETER WALL ANGLE 30 x 30 - LENGTH: 3,000 MM, THICKNESS 0.8 MM	2 lm
	2	HAMMER-IN FIXING Ø5.7 x 35 MM FOR CONCRETE	10 units

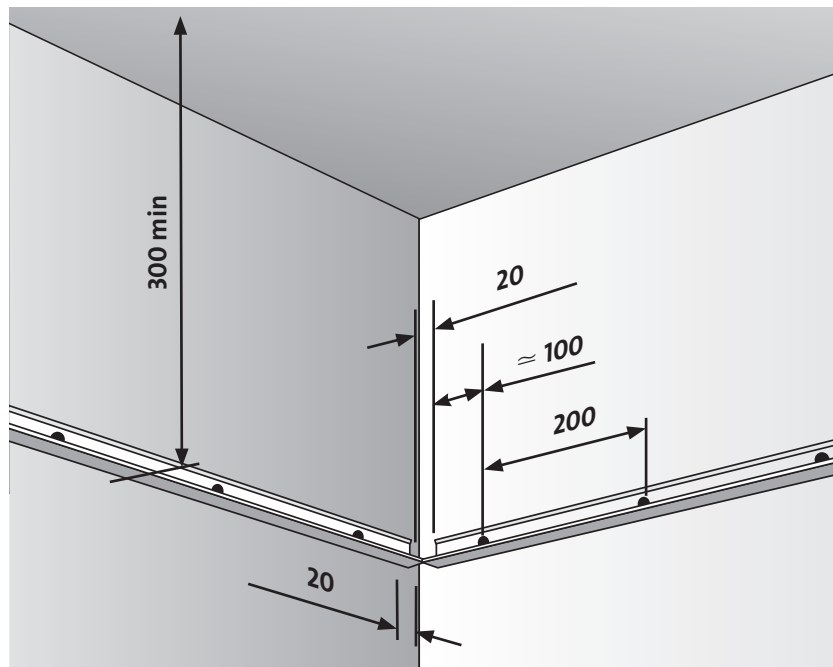
Unless otherwise specified, all dimensions are in millimeters (mm).
 Please contact us and refer to the Fire Resistance Report prior to installation.
 Each step includes a diagram, tips and the tools used.

FITTING PROCEDURE

Fire-resistant PM8 panels on wall angles

1 FITTING THE PERIMETER CHANNELS

- ▶ Install the L-type perimeter wall angles (30 x 30 mm, thickness 0.8 mm) around the ceiling. Fix to the concrete walls with hammer-in fixings ($\varnothing 5,7 \times 36$ mm) no more than every 200 mm.
- ▶ Corners: allow for a 20 mm expansion gap between the ends of the wall angles and the wall.
- ▶ Height: the lower wing of the wall angles must be at least 300 mm from the concrete slab.



i TIPS:

- ▶ Take care with the height of the plenum, since the wall angles do not contain a hollow joint. If the plenum is too low, you will not be able to fit the panels.
- ▶ In case of a corridor narrower than 1,500 mm, the gap between the wall angles and the plenum must be greater than the 300 mm mentioned earlier, so that panels can easily be removed (see step 3).

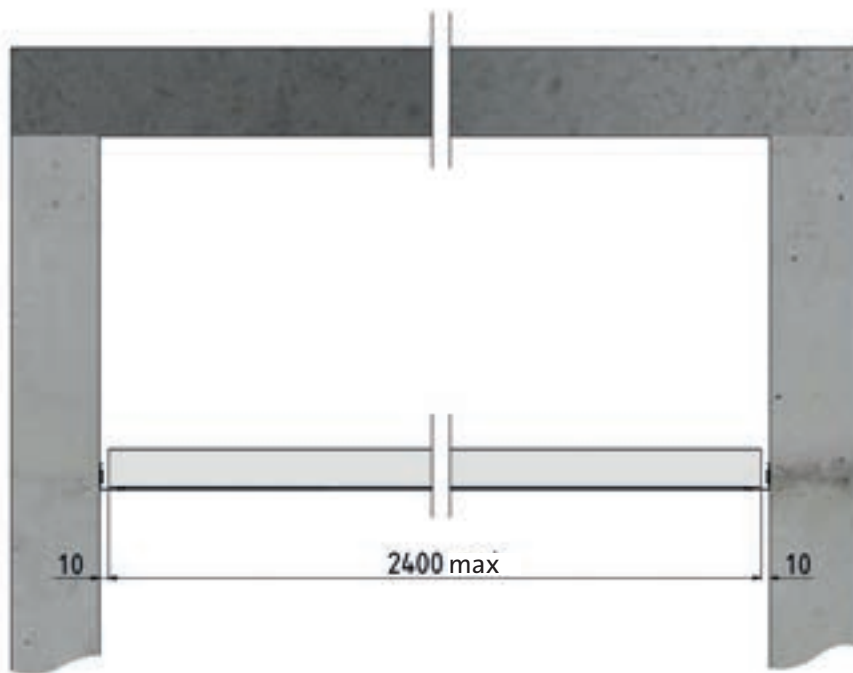
Unless otherwise specified, all dimensions are in millimeters (mm)

FITTING PROCEDURE

Fire-resistant PM8 panels on wall angles

2 INSTALLING THE PM8 PANELS

- ▶ Install the panels by resting their ends on the wall angles. Allow for a 10 mm expansion gap between the ends of the panels and the wall.



i TIP:

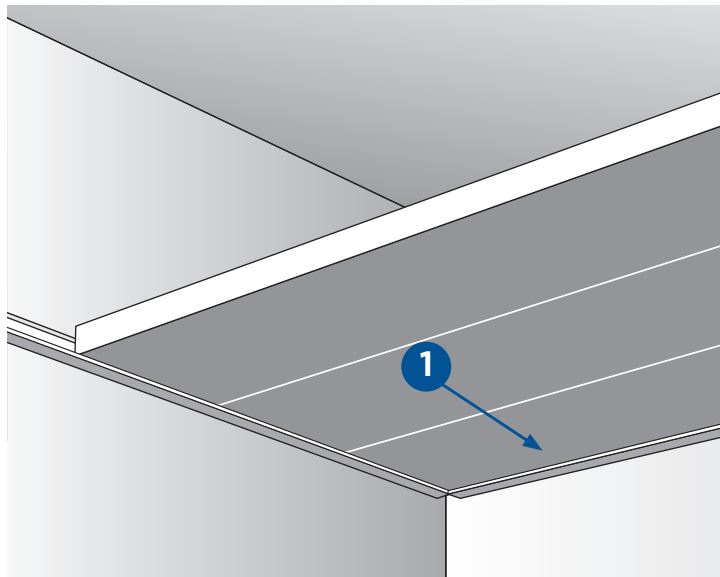
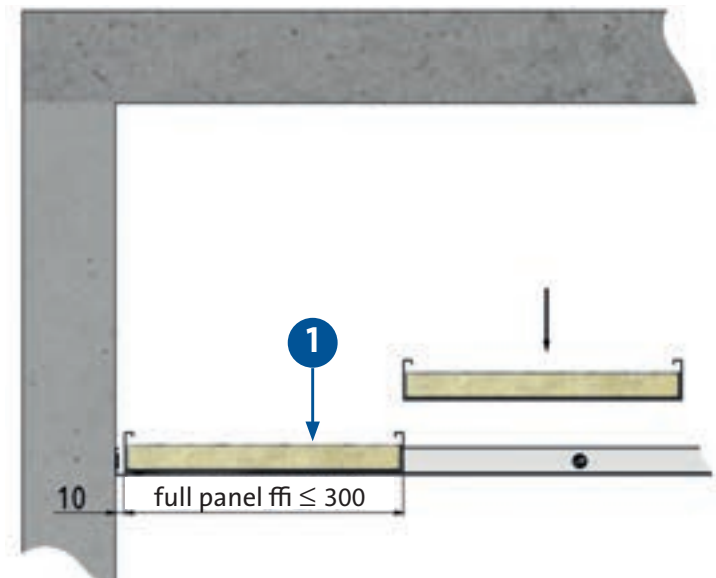
- ▶ It is extremely important to take accurate wall-to-wall measurements to ensure that the right expansion gap is provided during installation.

Unless otherwise specified, all dimensions are in millimeters (mm).

FITTING PROCEDURE

Fire-resistant PM8 panels on wall angles

- ▶ Panels are installed edge-to-edge without any gaps.
The panel at the end of the corridor must be a full panel ≤ 300 mm ①.



i TIP:

CUTTING

- ▶ The length of the panels can be adapted to the dimensions of the corridor: cut the ends (with a manual or electric nibbler, electric or manual shear, or angle grinder) to adjust the length of the panel to the width of the corridor. Caution: never use a jigsaw or can opener!

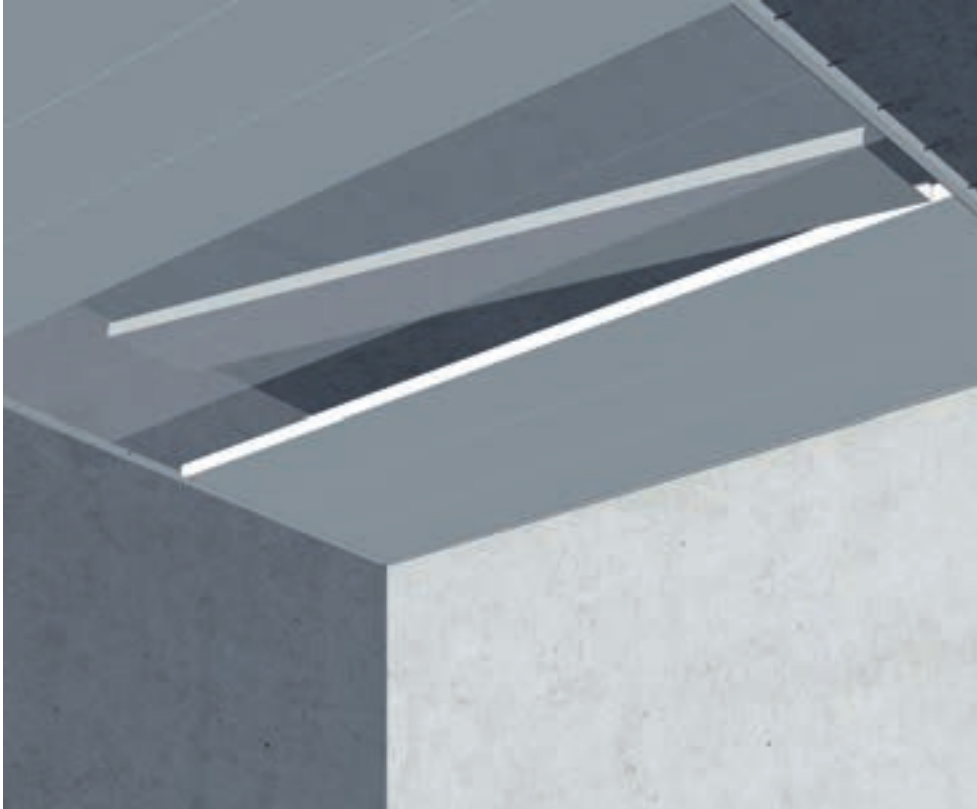
Unless otherwise specified, all dimensions are in millimeters (mm).

REMOVAL PROCEDURE

Fire-resistant PM8 panels on wall angles

3 ACCESSING THE PLENUM: OCCASIONAL REMOVAL OF SELF-SUPPORTING PANELS

- ▶ Lift up an edge of the PM8 panel and then remove the entire panel to provide major access to the plenum. Be careful not to damage panels when placing on the floor.



APPENDIX

Fire-resistant PM8 panels on wall angles

STORAGE

All our products must be stored on edge, on a flat surface and in a dry place away from inclement weather and the risk of impacts.

CARE / CLEANING

Our ceilings only require minimal maintenance. Various types of cleaning methods can be used:

- ▶ To remove dust, use a soft brush or vacuum cleaner with a non-abrasive nozzle.
- ▶ To remove pencil or similar marks, simply use an eraser.
- ▶ In case of grease stains, use a cloth slightly dampened with a surfactant, taking care not to get the insulation material wet.
- ▶ For other stains or dirty marks, use a damp cloth or sponge, taking care not to get the insulation material wet.

Never use abrasive products.

When using chemicals, always test on a concealed part of the ceiling.

Contact us before using disinfectant solutions.

ON-SITE CUTTING

The ceiling should not support any loads other than its own weight.

Various fixtures (lighting, air vents, speakers, signs, etc.)

can be fitted to the building's primary or secondary structure using hangers passing through the ceiling with the smallest possible gap. The secondary structure must then be verified at elevated temperatures through testing or design calculations according to applicable standards relating to the CSTB Fire Resistance Report.



PLAFOMETAL

Route de Phades - 08800 MONTHERME
Tel: +33 (0)3 24 59 54 18 - +33 (0)3 24 59 54 25
Email: contact.plafometal@saint-gobain.com
www.plafometal.com