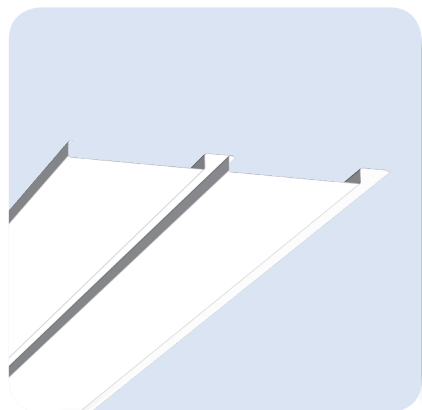


Type F strip

Linear strip with straight edges forming a closed hollow joint



- Designed to be clipped onto a concealed grid
- The strip has straight sides and square edges, forming a 15-mm closed hollow joint between the strips

Key product features

Aesthetics: reinforced linear appearance and concealed grid

Dimensions: long lengths possible

Outdoors: can be installed beneath canopies under certain conditions

Ideal for: lobbies and soffits

Related systems

- LINEAR CEILINGS
Linear strip
Closed linear strip on concealed grid system TYPE F
[PLAFOMETAL-LC-130]

Characteristics and performance



Light reflection
Up to 87%



Straight sides forming a 15-mm closed hollow joint



Indoor air quality
Class A+



Reaction to fire (according to EN 13501-1)
Euroclass A1



CE marking (according to EN 13964)
DoP no.: 0007-200

Colors

- **Standard White (RAL 9003)**
Polyester prepainted
- **Metallic Gray (RAL 9006)**
Polyester prepainted
- **Structured Textured White (RAL 9003)***
Prepainted polyurethane and polyamide
- **Structured Textured Gray (RAL 9006)*** Prepainted polyurethane and polyamide
- **Others colors, brushed, anodized and imitation wood on request**
Refer to the color chart available on the website

*recommended for outdoors

Perforations

Perforations available. Contact us.

Dimensions & Packing

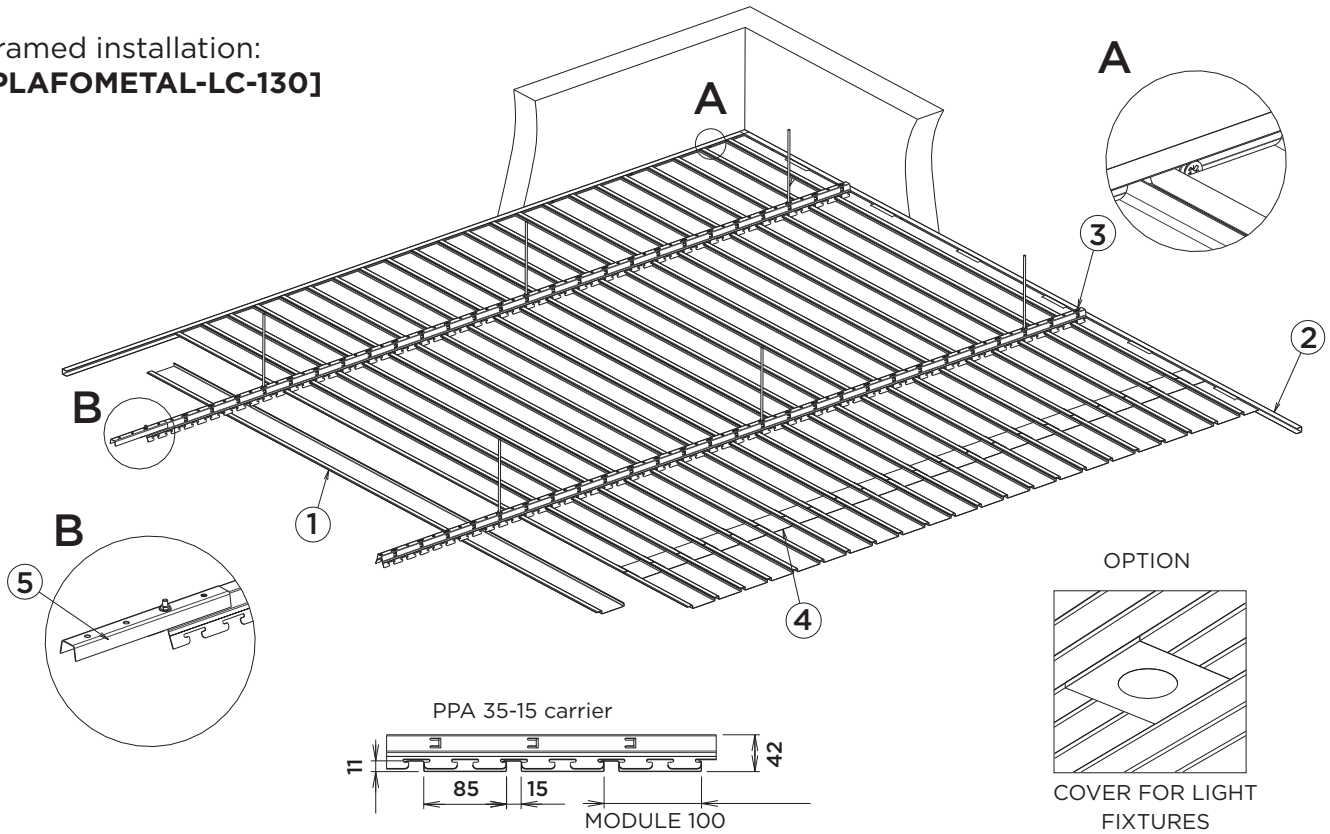
Dimensions (mm)	
Length	On request. Recommended dimensions between 900 and 6,000 mm.
Width*	85
Height	11
Packaging	
According to the length. Strips are supplied in even numbers.	

Aluminum strip (thickness 0.5 or 0.6 mm)

*Other widths on request

Type F strip

Framed installation:
[PLAFOMETAL-LC-130]



No.	Illustration	Article code	Component	Sales unit	Billing unit	Quantity (in billing units)
1		Contact us	Type F strip	lm	lm	11.11 for a 5-mm gap 10 for a 15-mm gap
OR	2	L40AL	Alu wall angle 40 x 20 mm leng. 3 m	Pack (10 units)	lm	Depending on the perimeter
	2	U16AL	Alu channel trim 16 x 16 x 14 mm leng. 3 m	Pack (10 units)	lm	
	3	PPA35-15	Carrier with a 15-mm gap* leng. 4 m	Pack (10 units)	lm	$\frac{1}{\text{Carrier center spacing (lm)}}$
	4	Contact us	Type F strip connection splice	Pack (10 units)	Unit	$\frac{\text{Quantity (lm) per m}^2 \text{ of strip}}{\text{Strip length (lm)}}$
	5	RPC	PPA carrier splice	Pack (10 units)	Unit	$\frac{1}{\text{Carrier center spacing (lm) X 4}}$
Option	6	Contact us	Cover for light fixtures	Contact us	Contact us	Optional according to the configuration

* Suspend with 6 mm diameter threaded rods and M6 nuts (not supplied)

Installation according to DTU 58-1

Framed installation: hangers with 1,200 mm centers starting 300 mm from the wall, and carriers with 1,200 mm centers with a 300 mm strip overhang. Perimeter hanger recommended.

Cut-outs: performed on site. Specific covers for spotlights, sprinklers or other fittings on one or more strip modules are available on request.

Outdoor installation: contact us for details about the center spacings for the chosen strip and specify the degree of wind and corrosion exposure depending on the project's installation specifications. The contractor is responsible for submitting its plan to the client for approval. Generally speaking, allow for a 0.5 to 1 m center spacing between hangers and carriers, a rigid tube for every other hanger at least between the fixing and the carrier, as well as washers on the contact points between the threaded rod and carrier.