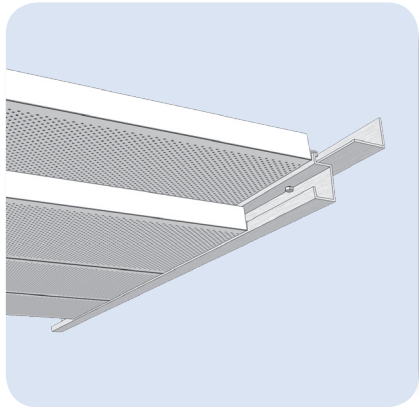


Translabac panel

Sliding panel system



- Designed to be installed on a special exposed grid forming a closed hollow joint with the wall.
- The folded ends combined with special shaped profiles enable the panel to slide above the installed ceiling.

Key product features

Opening: open interest with panel remaining in the plenum

Acoustics: high degree of correction, absorption factor α_w up to 1

Installation: adjustable closed hollow joint with a system of offset perimeters

in two parts

Impermeability: closed hollow joint to insulate against equipment noise

Ideal for: very crowded corridors.

Related systems

- CORRIDOR CEILINGS
Opening ceiling on exposed profiles
Sliding panel system TRANSLABAC
[PLAFOMETAL-CC-230]

Characteristics and performance



Light reflection
Up to 87%



Straight sides and square edges



Acoustics
 α_w up to 0.85 with the ALPHA range
 α_w up to 1 with the ALPHA PLUS range



Indoor air quality
Class A+ for all these products:

- Non-perforated
- In the ALPHA range
- In the ALPHA PLUS range, with a specific mineral wool pad in thin plastic film

Class A for all the products in the ALPHA PLUS range, with a specific mineral wool pad with a black tissue face



Verified EPD available in the INIES database (www.inies.fr)



Reaction to fire (according to EN 13501-1)
Euroclass A1 for these products:

- Prepainted non-perforated
 - Prepainted in the ALPHA range
- Euroclass A2-s1,d0 for these products:
- Non-perforated powder post-painted
 - Powder post-painted in the ALPHA range
 - In the ALPHA PLUS range

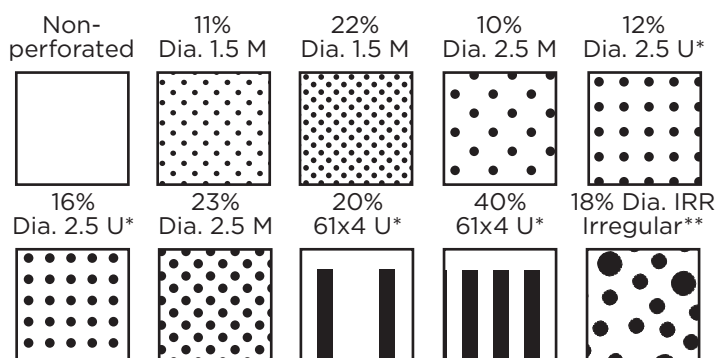


CE marking (according to EN 13964)
DoP no.: 0007-200

Colors

- **White 137 (≈ RAL 9003)**
Polyester prepainted
- **Metallic Gray (RAL 9006)**
Polyester prepainted - on request
- **180 RAL colors available on request**
Polyester powder post-painted

Perforations



Scale 1:2 Perforations can be stopped at the end of the panel (except for 18% IRR)

* Only available with perforations that stop short on the four sides.

** Maximum width 400 mm

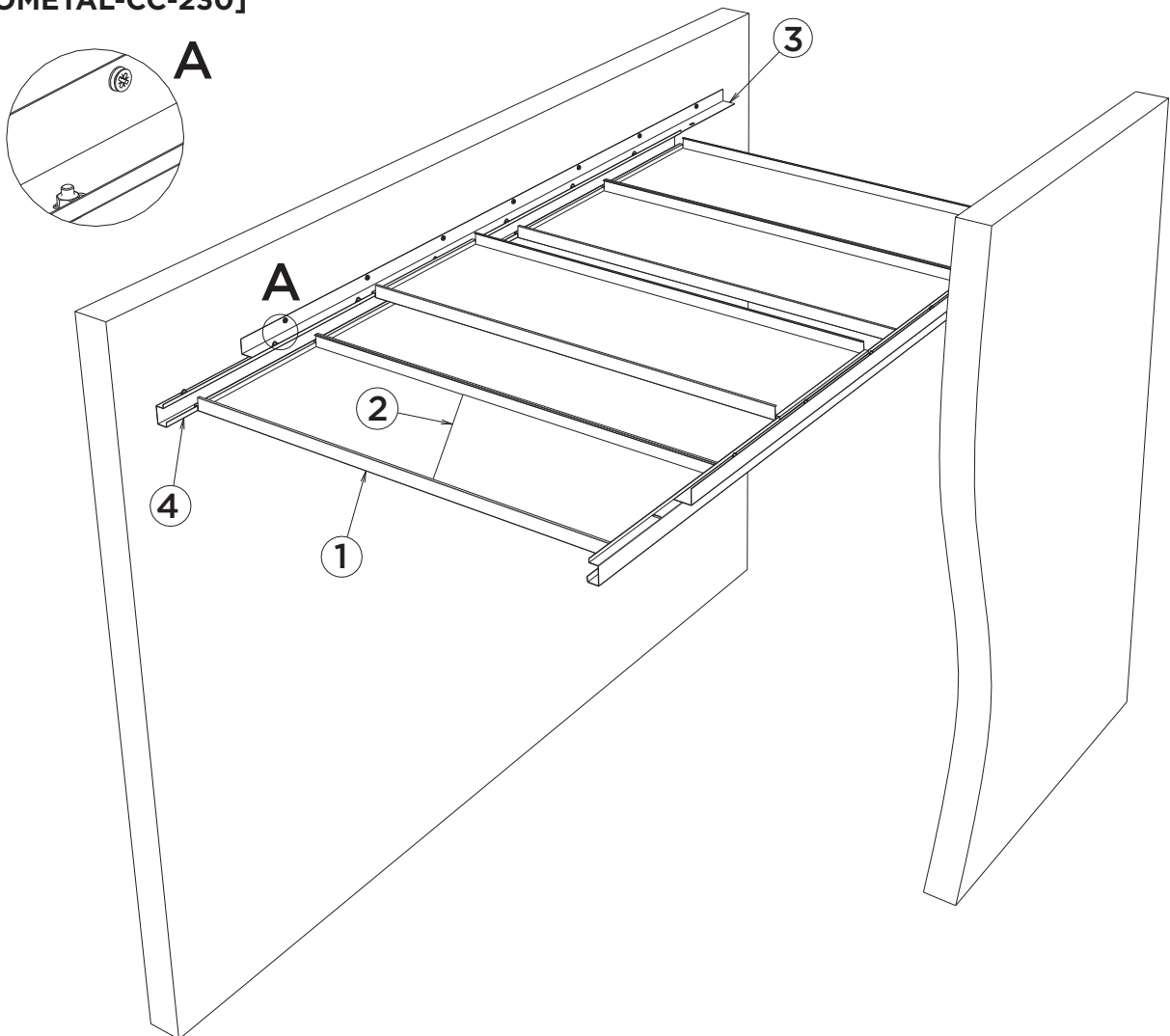
Dimensions & Packing

Dimensions (mm)			
Width*	300	400	600
Length	On request. Recommended dimensions between 800 and 2,500 mm depending on the self-supporting capacity		
Height	35		
Self-supporting capacity	2,500	2,500	1,500
Packaging			
Units/pack	Contact us		
m ² /pack			
Packs/pallet			
Weight (gross kg/pack)			

Non-perforated steel panel only (thickness 0.6 to 0.8 mm)

* Other dimensions on request

Installation in corridors:
[PLAFOMETAL-CC-230]



No.	Illustration	Article code	Component	Sales unit	Billing unit	Quantity (in billing units)	
1		Contact us	Translabac panel	Pack	m ²	1	Per m ²
2		Contact us	Additional acoustic component	/	m ²	1	
3		P5740003	Translabac wall angle 40 x 45 mm leng. 3 m	Unit	lm	2	Per lm of corridor
4		P5740004	Translabac hinged profile leng. 3 m	Unit	lm	2	

Installation according to DTU 58-1

Installation in corridors: Translabac wall angles to be fixed to the wall every 300 mm and Translabac hinged profiles to be assembled with bolts (not supplied) beneath the wall angle every 300 mm.

Removal: the panel is opened by pushing upwards and then sliding and setting it down on the top wings of the perimeter profile. The panel then slides into the plenum above the panels still in place. The panel is repositioned in reverse order.

Cut-outs: bespoke factory cut-outs on request.