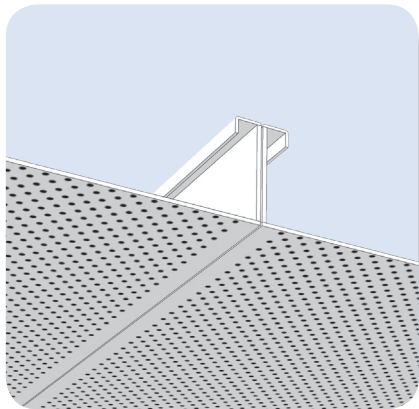


# PM8 SF panel

Self-supporting panel, straight sides and square edges, fire-resistant, wall angles



- Designed to be installed on special fire-resistant exposed wall angles.
- Panels feature reinforced longitudinal edges for greater mechanical strength.
- The panel ends may be open (BO) or turned up straight (BRD) for a greater finish around the perimeter (corridors).

## Key product features

**Safety:** 30-minute fire resistance (France and Belgium)

**Acoustics:** high degree of correction, absorption factor  $\alpha_w$  up to 1

**Opening:** wide access to the plenum

**Ideal for:** corridors that need to be fire-resistant.

## Related systems

- CORRIDOR CEILINGS  
Self-supporting ceiling on exposed profiles  
Fire-resistant self-supporting panel on wall angle system PM8 SF  
[PLAFOMETAL-CC-420]

## Characteristics and performance



**Light reflection**  
Up to 87%



Straight sides and square edges  
End options: BO, BRD



**Acoustics**  
 $\alpha_w$  up to 0.80 with the ALPHA range  
 $\alpha_w$  up to 1 with the ALPHA PLUS range



**Indoor air quality**  
Class A+ for all these products:  
Non-perforated

- In the ALPHA range
- In the ALPHA PLUS range, with a specific mineral wool pad in thin plastic film



**Reaction to fire** (according to EN 13501-1)  
Euroclass A1 for these products:

- Prepainted non-perforated
- Prepainted in the ALPHA range  
Euroclass A2-s1,d0 for these products:
- Non-perforated powder post-painted
- Powder post-painted in the ALPHA range
- In the ALPHA PLUS range



**Fire resistance**

**France:** 30-minute fire resistance performance pursuant to the test described in Section 2.5 of Appendix 1 in the French Regulation of March 22, 2004, meeting applicable French fire regulations for shared-use corridors inside high-rise buildings. Products must be installed in compliance with the applicable fire classification report and appendices. Contact us.

**Belgium:** 30-minute fire resistance performance pursuant to the test defined in the Belgian NBN 713-020 standard, meeting applicable fire regulations for escape routes, public-access areas and collective kitchens. Products must be installed in compliance with the applicable fire classification and test reports. Contact us.



Verified EPD available in the INIES database ([www.inies.fr](http://www.inies.fr))

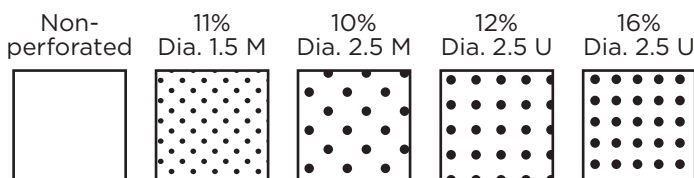


CE marking (according to EN 13964)  
DoP no.: 0007-200

## Colors

- **White 137 (≈ RAL 9003)**  
Polyester prepainted
- **Metallic Gray (RAL 9006)**  
Polyester prepainted - on request
- **180 RAL colors available on request**  
Polyester powder post-painted

## Perforations



Scale 1:2

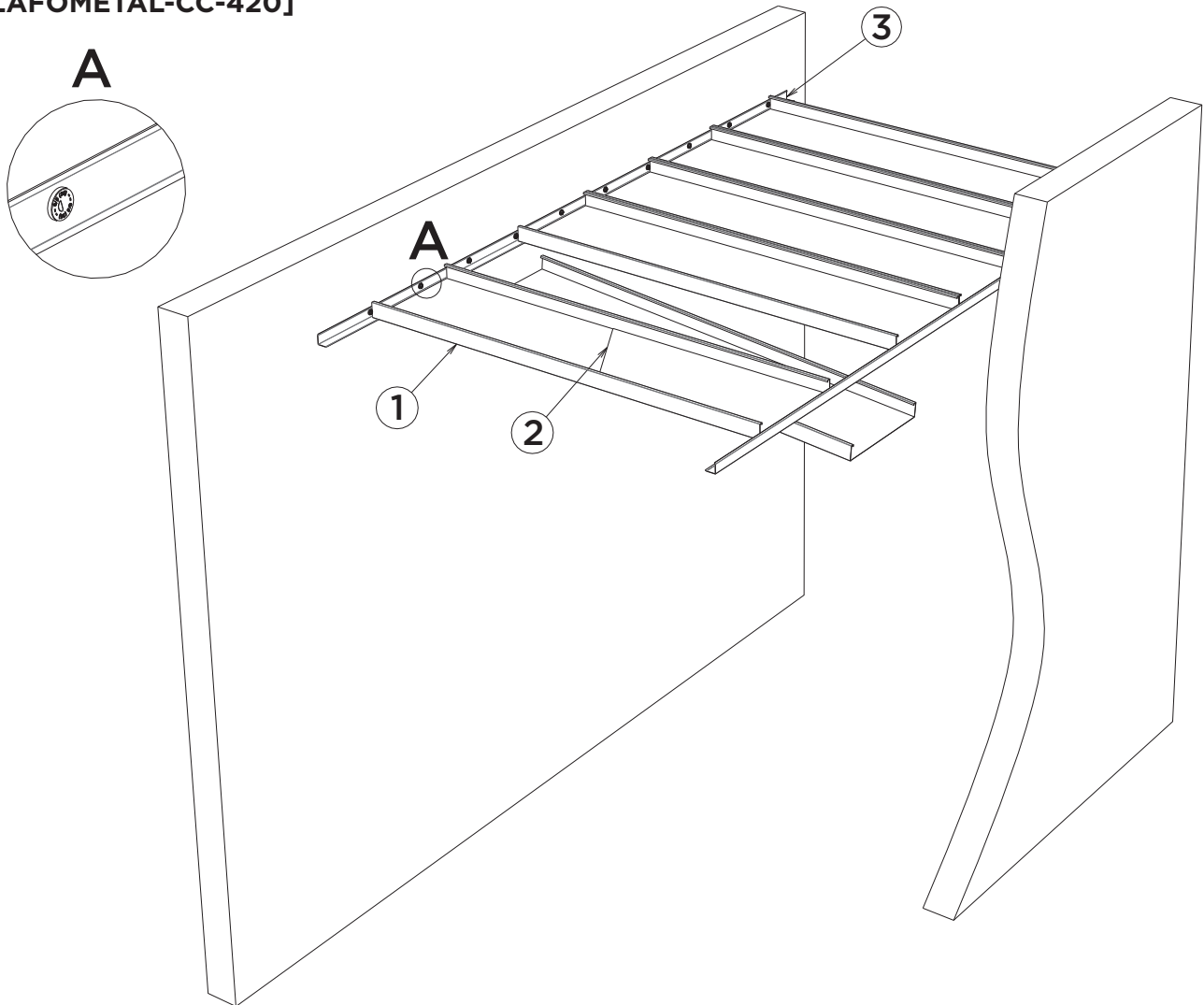
## Dimensions & Packing

Dimensions (mm)	
Width	300
Length	On request. Recommended dimensions between 900 and 2,400 mm (maximum in the classification report)
Height	43.5
Self-supporting capacity	2,400
Packaging*	
Units/pack	6
m <sup>2</sup> /pack	4.32
Packs/pallet	21
Weight (gross kg/pack)	26

Non-perforated steel panel only (thickness 0.6 mm)

\* For a length equal to the self-supporting capacity

Framed installation, fire-resistant :  
[PLAFOMETAL-CC-420]



No.	Illustration	Article code	Component	Sales unit	Billing unit	Quantity (in billing units)	
1		Contact us	PM8 SF BO or BRD panel	Pack	m <sup>2</sup>	1	Per m <sup>2</sup>
2		Contact us	Additional acoustic component	/	m <sup>2</sup>	1	
OR		Contact us	Wall angle 30 x 30 mm* leng. 3 m thickness 0.8 mm	/	lm	2	Per lm of corridor
		V810BA	Wall angle with hemmed edges 30 x 30 mm* leng. 3 m thickness 0.8 mm	Pack (25 units)	lm	2	

\* to be installed with specific center spacings and fixings (not supplied) according to the classification report

## Installation according to DTU 58-1 and the classification report

**Installation in corridors:** wall angle to be fixed to the wall.

Note: for a fire-resistant installation, refer to the "PM8 SF" installation guide and always consult the fire classification report available on request.

**Removal:** by lifting the panel in the grid.

**Cut-outs:** the ceiling should not support any loads other than its own weight. For further details, refer to the installation guide or contact us.