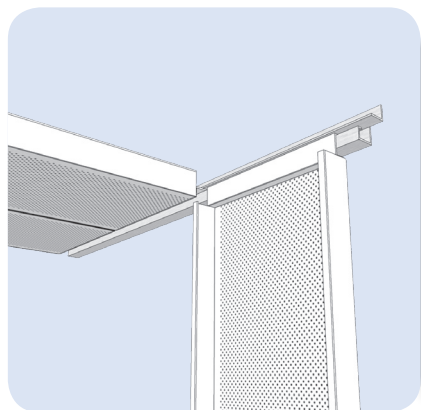


Aries panel

Compact swing-down panel system



- Designed to be installed on a special exposed grid.
- The grid's footprint in the plenum is similar to the panel.
- A closed hollow joint is created between the perimeter grids and the ends of the panel.

Key product features

Assembly: low footprint in confined plenums

Acoustics: high degree of correction, absorption factor α_w up to 1

Opening: robust for frequent use

Impermeability: closed hollow joint to insulate against equipment noise

Ideal for: corridors with small or cluttered plenums.

Related systems

- CORRIDOR CEILINGS
Opening ceiling on exposed profiles
Compact swing-down panel system ARIES
[PLAFOMETAL-CC-210]

Characteristics and performance



Light reflection
Up to 87%



Straight sides and square edges



Acoustics
 α_w up to 0.85 with the ALPHA range
 α_w up to 1 with the ALPHA PLUS range



Indoor air quality
Class A+ for all these products:

- Non-perforated
- In the ALPHA range
- In the ALPHA PLUS range, with a specific mineral wool pad in thin plastic film

Class A for all the products in the ALPHA PLUS range, with a specific mineral wool pad with a black tissue face



Verified EPD available in the INIES database (www.inies.fr)



Reaction to fire (according to EN 13501-1)
Euroclass A1 for these products:

- Prepainted non-perforated
 - Prepainted in the ALPHA range
- Euroclass A2-s1,d0 for these products:
- Non-perforated powder post-painted
 - Powder post-painted in the ALPHA range
 - In the ALPHA PLUS range

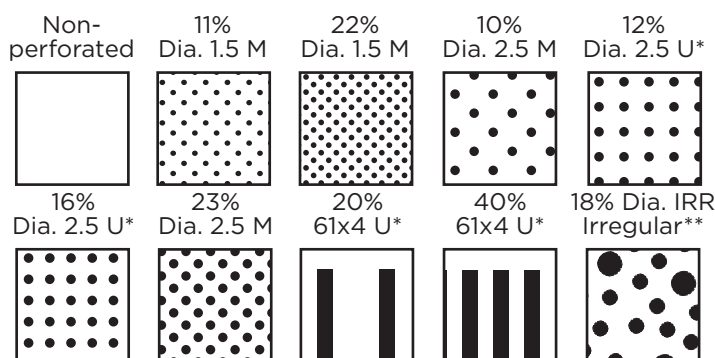


CE marking (according to EN 13964)
DoP no.: 0007-200

Colors

- **White 137 (≈ RAL 9003)**
Polyester prepainted
- **Metallic Gray (RAL 9006)**
Polyester prepainted - on request
- **180 RAL colors available on request**
Polyester powder post-painted

Perforations



Scale 1:2 Perforations can be stopped at the end of the panel (except for 18% IRR)

* Only available with perforations that stop short on the four sides.

** Maximum width 400 mm

Dimensions & Packing

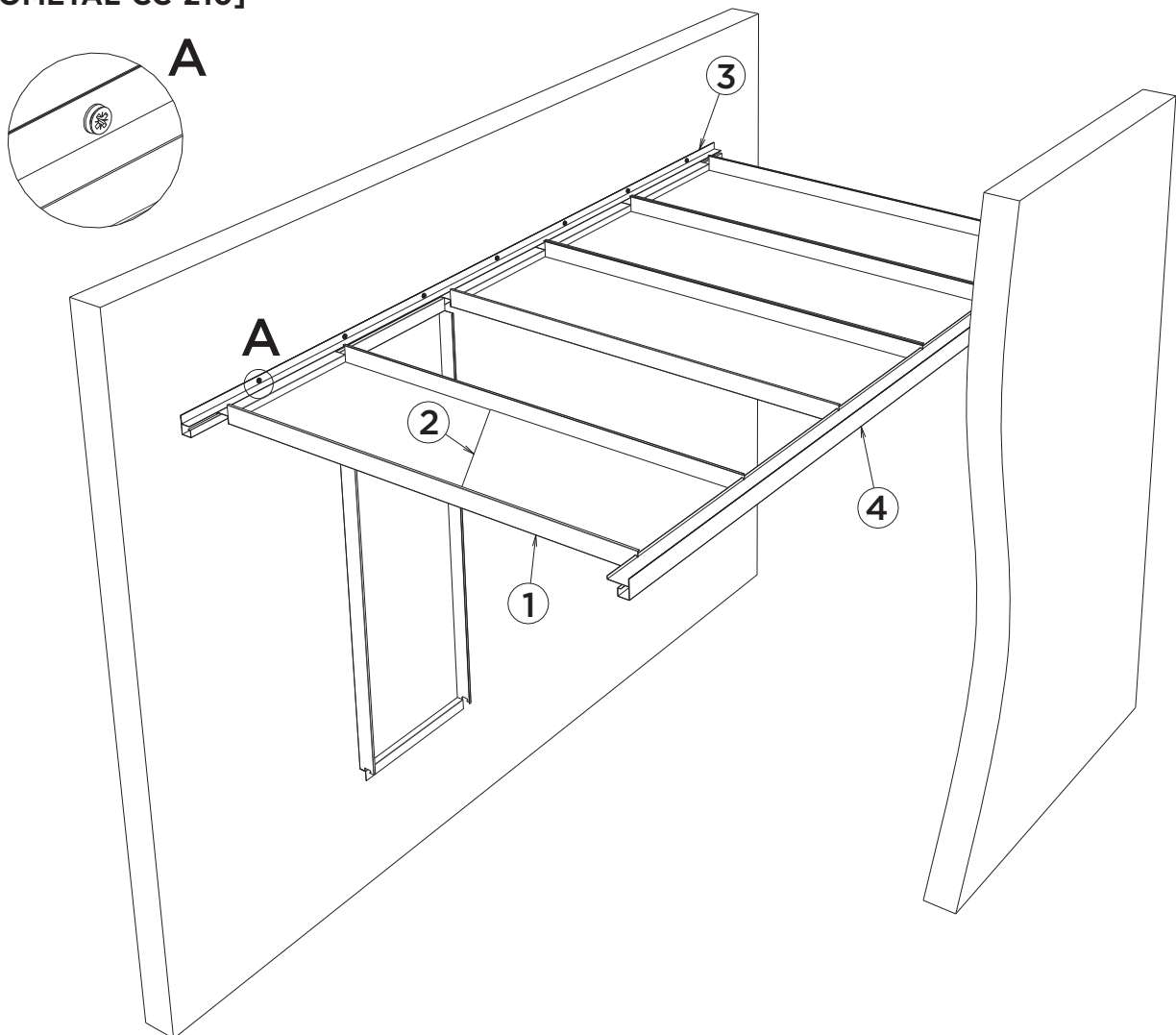
Dimensions (mm)			
Width*	300	400	600
Length	On request. Recommended dimensions between 800 and 2,500 mm depending on the self-supporting capacity		
Height	50		
Self-supporting capacity	2,500	2,500	1,500
Packaging**			
Units/pack	6	4	4
m ² /pack	4.5	4	3.6
Packs/pallet	21	27	18
Weight (gross kg/pack)	29	24	27

Non-perforated steel panel only (thickness 0.6 to 0.8 mm)

* Other dimensions on request

** For a length equal to the self-supporting capacity

Installation in corridors:
[PLAFOMETAL-CC-210]



No.	Illustration	Article code	Component	Sales unit	Billing unit	Quantity (in billing units)	
1		Contact us	Aries panel	Unit	m ²	1	Per m ²
2		Contact us	Additional acoustic component	/	m ²	1	
3		P5790017	Aries pivot profile leng. 3 m	Unit	lm	2	Per lm of corridor
4		P5790020	Aries support profile leng. 3 m	Unit	lm	2	

Installation according to DTU 58-1

Installation in corridors: pre-assembled Aries pivot profile and pre-assembled Aries supporting profile to be screwed to the wall every 300 mm.

Cut-outs: bespoke factory cut-outs on request.

Removal: the panel is opened by pushing upwards and then sliding sideways to free it from the supporting profile. The panel swings down and remains suspended on the pivot profile.

To replace the panel, proceed in reverse order while ensuring that the panel is correctly positioned so that each element is aligned with the next.